

Datablad

Aqua Stora Compact AC m/spiral

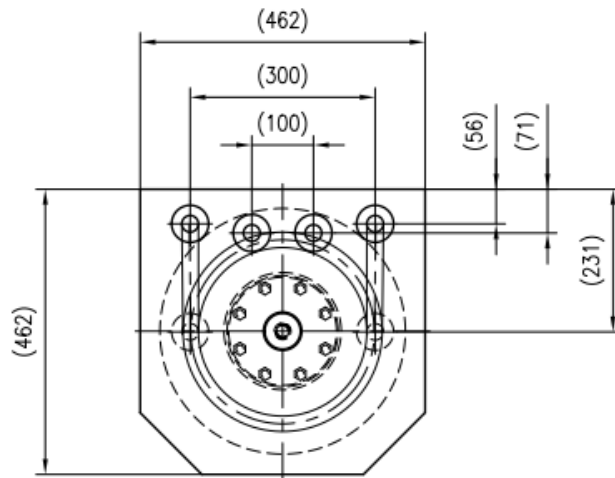
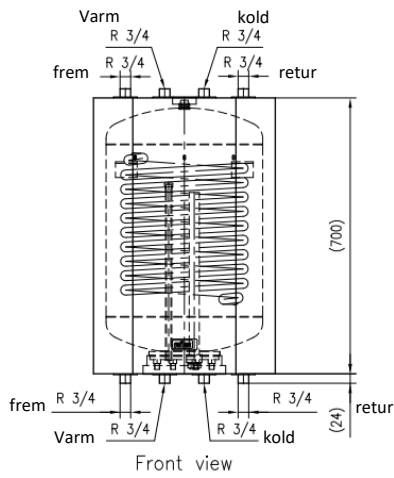
| Hoveddata | | | 60/spiral | 110/spiral | 160/spiral |
|-----------|----------------------|----------------|-----------|------------|------------|
| | Energiklasse | | B | | C |
| | Varmetab | W | 38 | 48 | 63 |
| | Volumen | liter | 67 | 112 | 171 |
| | Hedeflade | m ² | 0,95 | | |
| | Maksimalt driftstryk | bar | 10 | | |

| Hovedmål | | | 60/spiral | 110/spiral | 160/spiral |
|----------|---------------|----|-----------|------------|------------|
| | Højde | mm | 700 | 1065 | 1492 |
| | Bredde | mm | 461 | | |
| | Dybde | mm | 461 | | |
| | Vægt - tom | kg | 52 | 65 | 91 |
| | Tilslutninger | " | 3/4 | | |

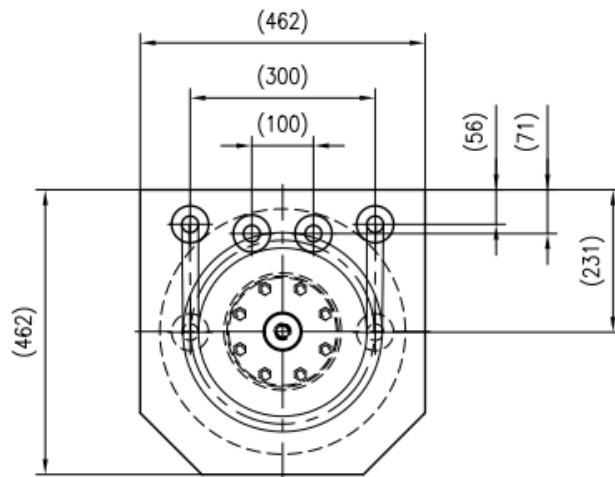
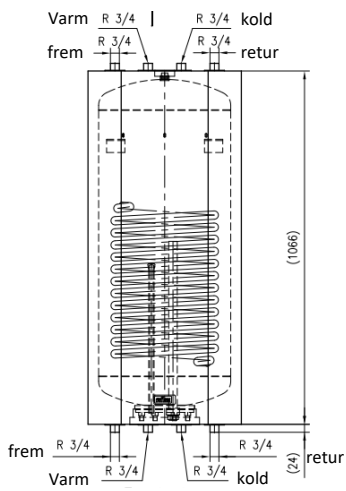
Datablad

Aqua Stora Compact AC m/spiral

60/Spiral



110/Spiral



160/Spiral

